



Super Nt

User Guide

Contents

Important health warning about playing video games	3
Please read	3
Super Nt diagram	4
Using a retro receiver	5
Using an sn30 controller	6
Super Nt hardware features	7
System menu	8
Video options	8
Audio options	9

Important health warning about playing video games

A very small percentage of people may experience a seizure when exposed to certain visual images, including flashing lights or patterns that may appear in video games. Even people who have no history of seizures or epilepsy may have an undiagnosed condition that can cause these “photosensitive epileptic seizures” while watching video games.

These seizures may have a variety of symptoms, including lightheadedness, altered vision, eye or face twitching, jerking or shaking of arms or legs, disorientation, confusion, or momentary loss of awareness. Seizures may also cause loss of consciousness or convulsions that can lead to injury from falling down or striking nearby objects.

Immediately stop playing and consult a doctor if you experience any of these symptoms.

Parents should watch for or ask their children about the above symptoms – children and teenagers are more likely than adults to experience these seizures. The risk of photosensitive epileptic seizures may be reduced by taking the following precautions: sit farther from the screen, use a smaller screen, play in a well-lit room, and do not play when you are drowsy or fatigued.

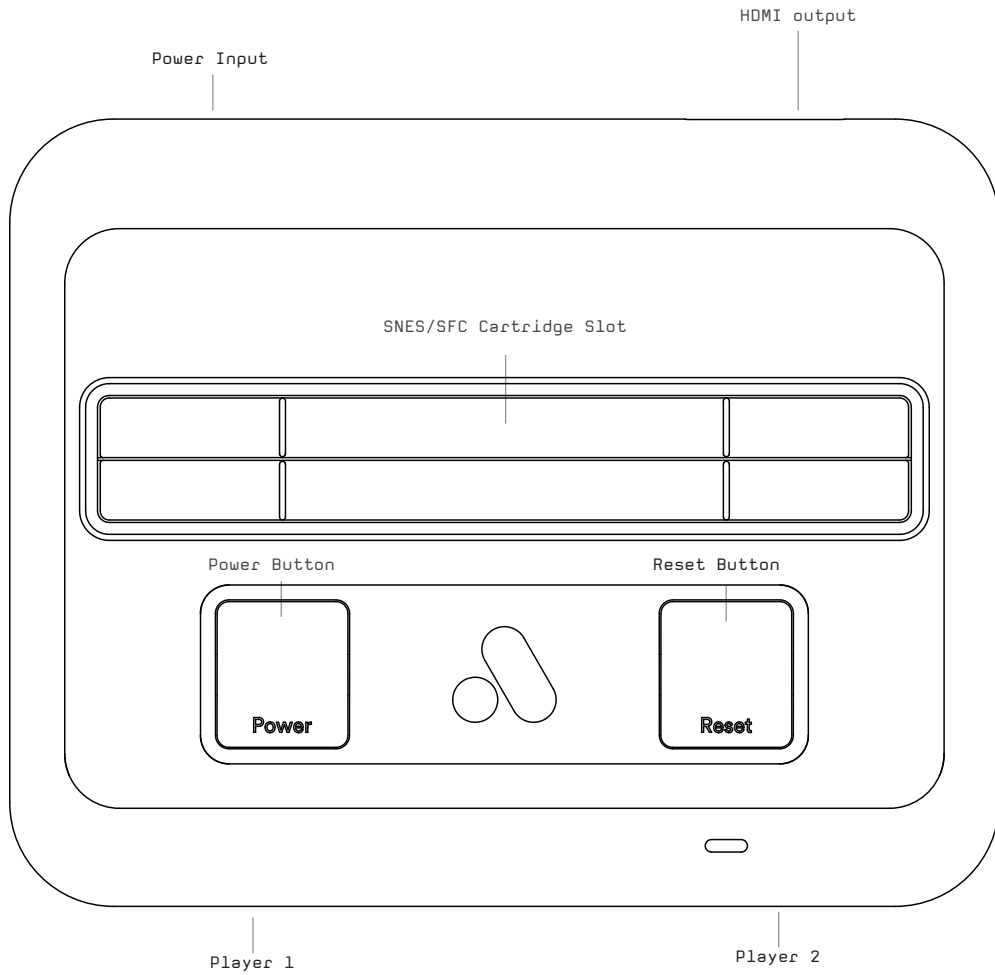
If you or any of your relatives have a history of seizures or epilepsy, consult a doctor before playing.

Please read

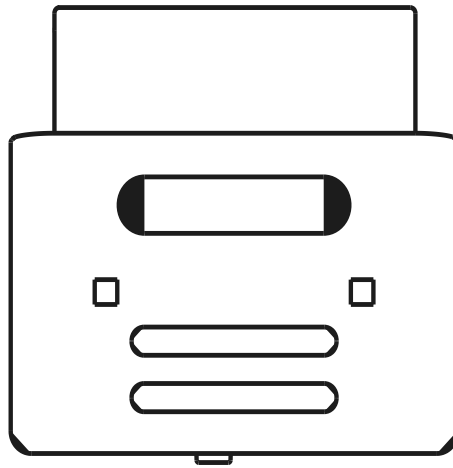
The Super Nt is a unique device that may require some reasonable extra attention when inserting cartridges. Carelessly inserting / removing cartridges into the slot or dramatically rocking them back and forth, may scuff your cartridges. Cartridges should be inserted and removed in a straight, upward and downward motion to avoid any issues.

If your Super Nt is opened or tampered with in anyway, the warranty will be void.

To start using your Super Nt, insert the AC adapter into the power input and plug in an HDMI cable into the respective input on your TV, monitor or projector. Press the power button on your Super Nt with or without a game cartridge inserted.



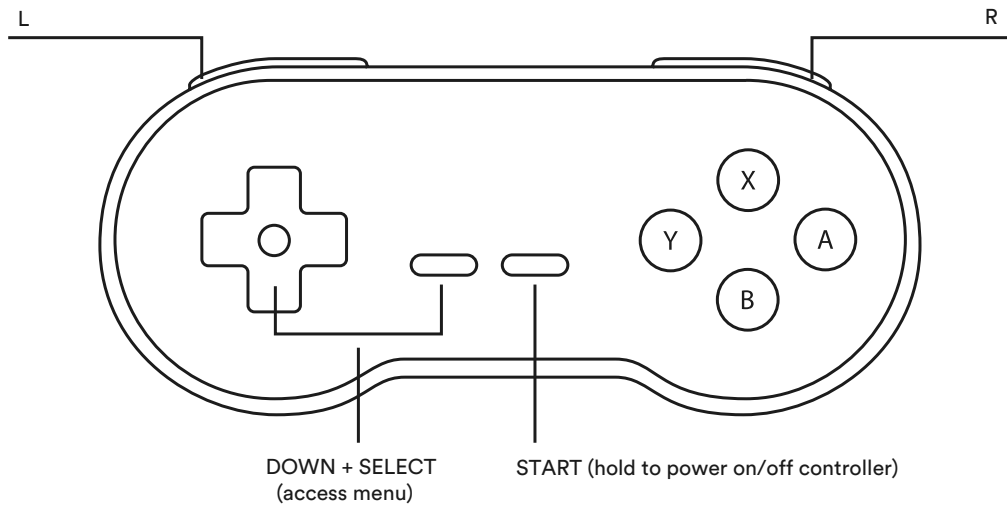
To start you using your Retro Receiver for SNES (not included) please see the instructions below.



Pairing

1. Hold start for 3 seconds on your SN30 controller to enter pairing mode
2. Press pairing button on Retro Receiver to pair new controller
3. Wait until both LEDs are solid blue
4. Your controller is now paired

To start using your SN30 controller (not included) with a Retro Receiver for SNES (not included) please see the instructions below.



Pairing to Retro Receiver for SNES with your Super Nt:

1. Hold start for 3 seconds to power on your SN30 controller
2. Press pairing button on Retro Receiver to pair new controller
3. Wait until both LEDs are solid blue
4. Your controller is now paired

Super Nt Hardware features

Please read this section to understand the physical hardware features on your Super Nt.

Power button/reset button

Your Super Nt can be powered on and off by pressing the Power Button. While your Super Nt is turned on, press the Power Button to power it off. To reset a game while playing your Super Nt- press the Reset button.

SNES & SFC cartridge slot

Your Super Nt is compatible with original SNES and Super Famicom game cartridges. To play a game cartridge, simply insert it into your Super Nt's cartridge slot firmly and select "Run Cartridge" in the system menu.

SNES/SFC style controller ports

Your Super Nt is outfitted with custom designed, SNES/SFC style controller ports. This means your Super Nt is compatible with original SNES/SFC controllers and accessories.

HDMI output

Your Super Nt outputs in HDMI. Plug an HDMI cable into your Super Nt and a TV/Monitor/projector to output video.

Power input

Your Super Nt's power input is a micro USB input. Only use 5v 2a USB power supplies or your Super Nt may not function correctly.

System menu

When you first power on your Super Nt, you will be greeted with the System menu.

To access the system menu while playing a game - press DOWN and SELECT on your controller. If you would like to save your settings, make sure to select "Save and Update" to save your settings after turning off your Super Nt.

Run Cartridge

Insert a SNES/SFC game cartridge or accessory into your Super Nt's game cartridge slot. Select "Run Cartridge" to play.

Super Turrigan Director's Cut

Select "Super Turrigan Director's Cut" to play the unreleased classic.

Super Turrigan 2

Select "Super Turrigan 2" to play the original classic.

Settings

Video

Here you can adjust all the video settings on your Super Nt.

Resolution – Change Super Nt's video output resolution.

Screensize - Change Super Nt's aspect ratio. We suggest 4:3 for 16:9 and 4.5x. 5x looks great, but you will cut off a small amount of game footage.

Scalers - Turn scalers on your Super Nt. You will find interpolation options here, too.

Scanlines - Turn scanlines on and off. Gamma boost is suggested to boost the gamma as scanlines will darken the screen.

Advanced Mode - Offers hardcore features and greater controls over the above options.

- **Width & Height:** Change the width, height, horizontal position and vertical position of the on screen image.
- **Extra Features**
 - **64 Sprite Tiles:** activate double the sprites the original SNES SFC can handle. Eliminates flicker. May cause issues with some games.
 - **Mode 5 & 6 Interlace disable:** disables interlace except for high-res modes.
 - **Pseudo-hires Blending:** blends pseudo hi-res modes for proper transparency
- **Buffer mode:**
 - **Fully buffered and single buffer modes** are designed for people who wish to play games at their original speed such as speed runners. There is slightly more lag (up to 1 frame) because of the difference in system vs. hdmi frame rate.
 - **Single buffer mode:** is slightly faster than fully buffered because the current frame buffer is always being loaded by the system and displayed by the monitor. The down side is there is some vertical tearing on horizontally scrolling game levels.
 - **Zero delay mode:** combines minimum lag (1ms) with no dropped frames resulting in the best gaming experience. To achieve this the system speed is periodically lowered to compensate. The speed difference is approximately 0.15%.

Audio

Here you can adjust all the audio options on your Super Nt.

-3DB Output Cut – Quickly reduce your Super Nt's audio output by -3DB.

Cartridge Audio Enable - Enable or disable the audio coming from game cartridges.

Swap Left & Right - Swap the left and right audio outputs. Left becomes Right, Right becomes Left.

Cartridge Audio Volume - Adjust the audio gain that comes from a game cartridge.

System

Here you can adjust all the system options on your Super Nt.

Menu Options – Change the way your Super Nt UI works and looks.

- **Skin:** change your Super Nt's UI skin between a classic or Super Famicom inspired look.
- **Highlight style:** changes the highlight style of the selection cursor.
- **Highlight color:** changes the highlight color of the selection cursor.
- **Font:** Choose between an alternative font style for your Super Nt.
- **Menu Bounce:** the system menu will bounce as you move from window to window.
- **Dim Game in Menu:** dim the game play in the background of the system menu.

Controls & Hotkeys - set hotkeys for various Super Nt system controls.

Startup Options - Change the way your Super Nt starts up.

- **Boot Sequence Delay:** adjust the boot sequence of your Super Nt depending on your TV. If your TV cuts off the boot sequence, increase the delay.
- **Title->Menu:** Super Nt startup boot sequence into the System menu.
- **Title->Cartridge:** startup boot sequence into automatically running a game cartridge inserted into the system.
- **Menu Direct:** directly boots to system menu with no boot sequence.
- **Cartridge Direct:** directly runs any game cartridge inserted into the system.

System Region - Select between NTSC and PAL depending on if you are using a PAL TV or PAL games. If you need this, you know what it is.

LED Options Select between a number of cool LED options / startup LED sequences for your Super Nt.

About

About section, featuring licensing info, thanks and more.

Save/Clear Settings

Save and clear your Super Nt settings. Make sure to save if you want your system settings to remain once you power down and power back up.

